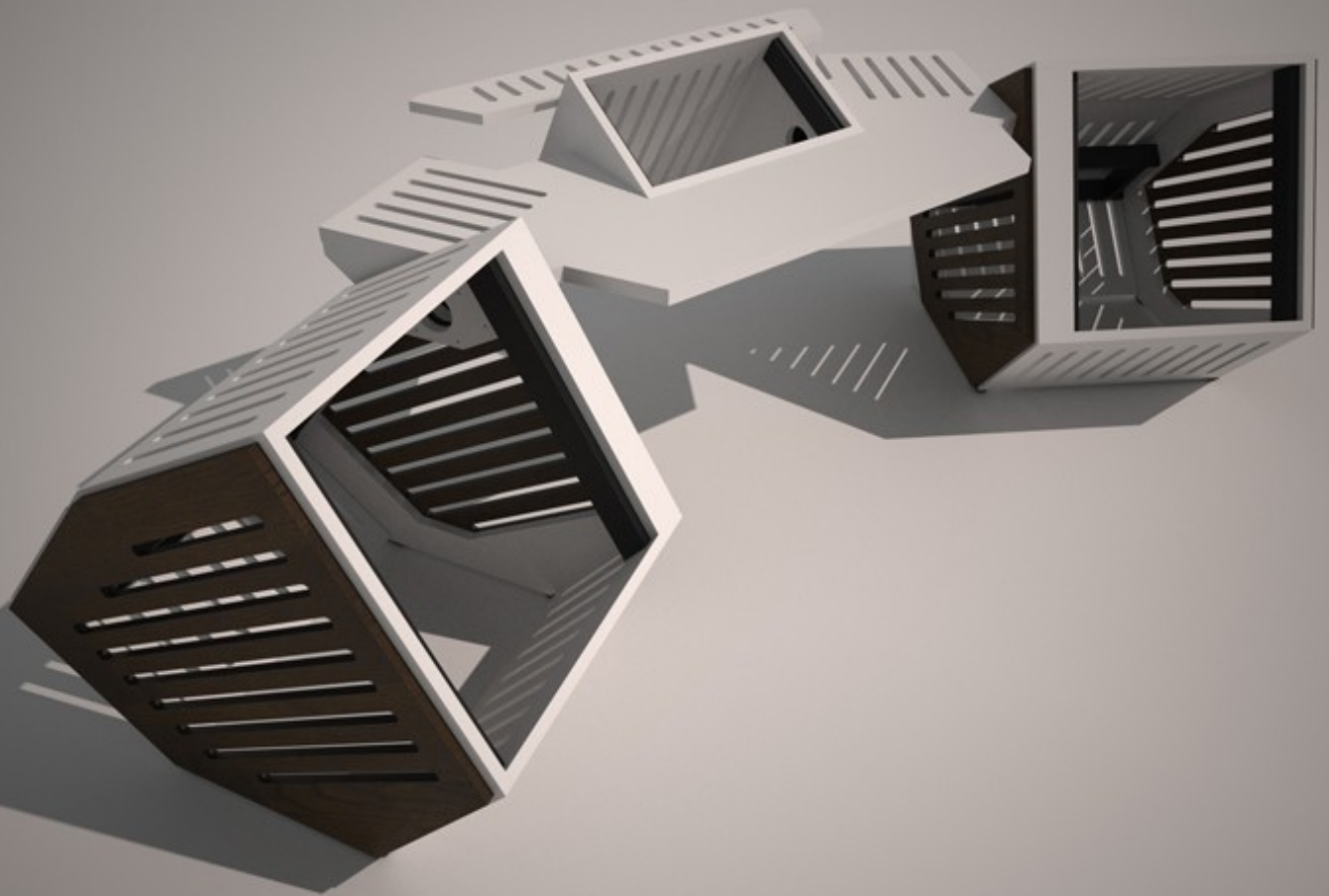




# Northward Systems

By Northward Acoustics

FLAGSHIP RECORDING STUDIO  
MASTERING & BROADCAST INDUSTRY FURNITURE





# Northward Systems

By Northward Acoustics

## FLAGSHIP RECORDING STUDIO MASTERING & BROADCAST INDUSTRY FURNITURE

### TYPE: DMP-CS

- Based on Northward Acoustics ATS Modules®
- 6u HE center section
- 12u + 4u HE per side racks (12u front loaded, 4u back loaded behind access hatch for ancillary units - PSU...)
- Total of 38u HE
- High quality rack railing
- Height adjustable screen platform
- Rear access hatch on each side rack
- Incorporated cable tray between side racks and center section
- Class AAA high resistance coating & laquering
- No visible screws or assemblies
- Pods and center section factory pre-assembled

©Northward SRL 2020

Design registration : EUIPO 005267762-0001

All copyrights, design rights and intellectual property rights existing in our designs and products and in the images, text and design of our website, product brochures and marketing material are and will remain the property of Northward SRL. We will treat any infringement of these rights seriously.



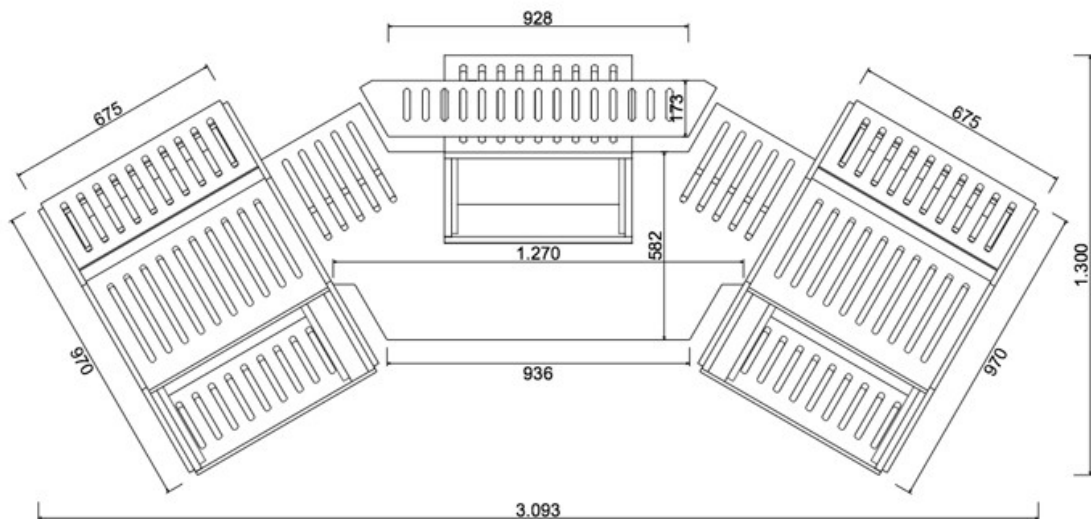
# Northward Systems

By Northward Acoustics

## FLAGSHIP RECORDING STUDIO MASTERING & BROADCAST INDUSTRY FURNITURE

### TYPE: DMP-CS

All dimensions in mm.



©Northward SRL 2020

Design registration : EUIPO 005267762-0001

All copyrights, design rights and intellectual property rights existing in our designs and products and in the images, text and design of our website, product brochures and marketing material are and will remain the property of Northward SRL. We will treat any infringement of these rights seriously.



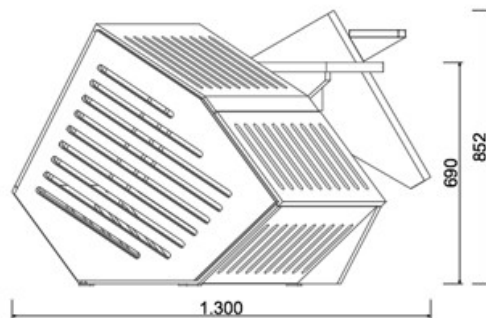
# Northward Systems

By Northward Acoustics

## FLAGSHIP RECORDING STUDIO MASTERING & BROADCAST INDUSTRY FURNITURE

**TYPE: DMP-CS**

All dimensions in mm.



©Northward SRL 2020

Design registration : EUIPO 005267762-0001

All copyrights, design rights and intellectual property rights existing in our designs and products and in the images, text and design of our website, product brochures and marketing material are and will remain the property of Northward SRL. We will treat any infringement of these rights seriously.